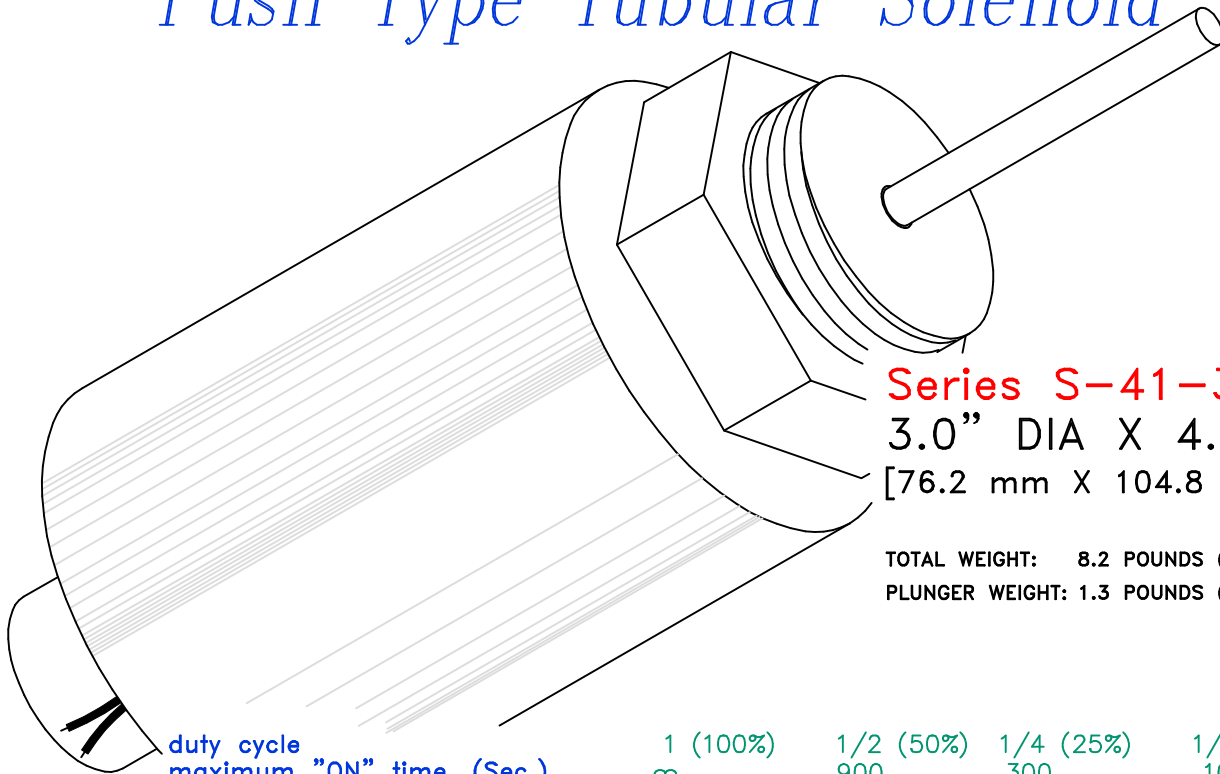


MAGNETIC SENSOR SYSTEMS

Push Type Tubular Solenoid



Series S-41-300-H
3.0" DIA X 4.13"
[76.2 mm X 104.8 mm]

TOTAL WEIGHT: 8.2 POUNDS (3.7 KG)

PLUNGER WEIGHT: 1.3 POUNDS (0.6 KG)

duty cycle maximum "ON" time, (Sec.)	1 (100%) ∞	1/2 (50%) 900	1/4 (25%) 300	1/10 (10%) 100
watts	30	60	120	300
approximate ampere turns	2870	4060	5740	9080

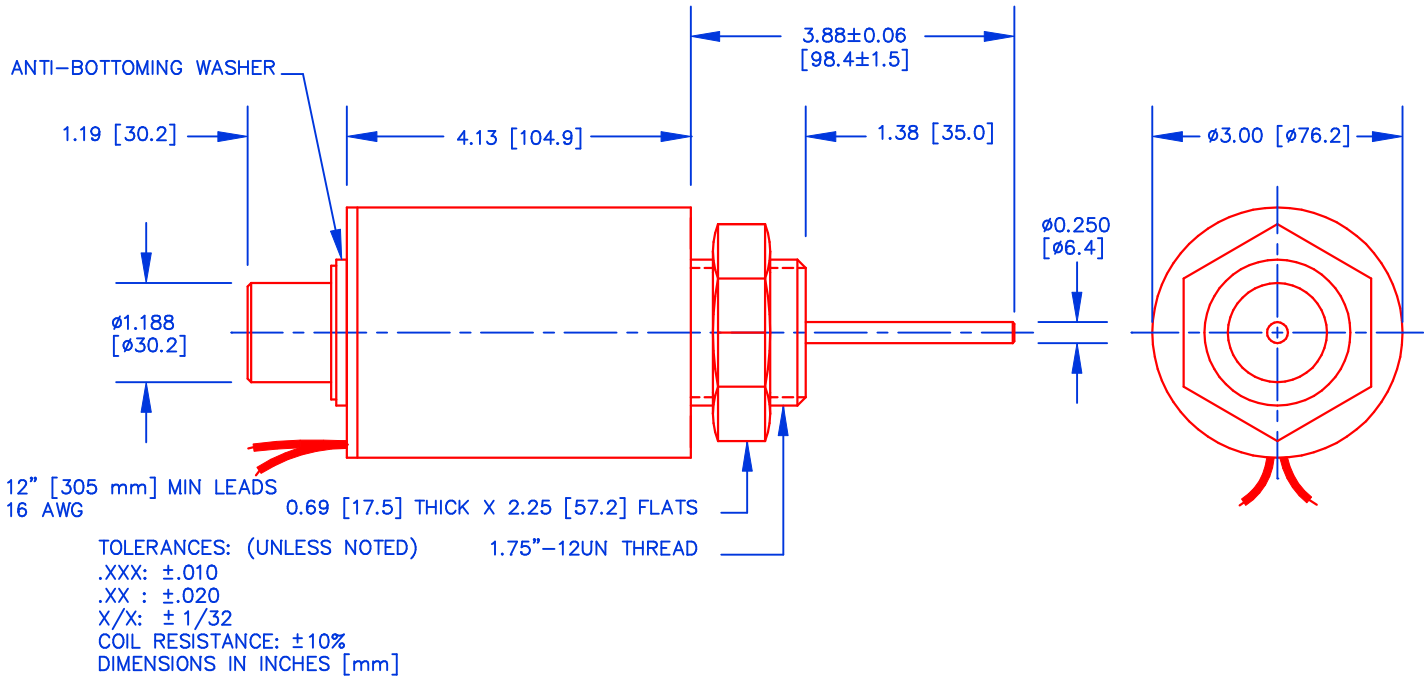
AWG number	resistance (Ω)	volts DC	volts DC	volts DC	volts DC
17	1.9	7.6	10.8	15.3	24.2
18	3.2	9.9	13.9	19.7	31.2
19	5.2	12.4	17.5	24.8	39.2
20	8.8	16.0	22.6	32.0	50.6
21	14.2	20.3	28.7	40.5	64.1
22	22.6	25.6	36.3	51.3	81.1
23	34.1	31.8	44.9	63.6	101
24	54.6	40.0	56.6	80.1	127
25	89.4	51.7	73.2	104	164
26	139	64.3	90.9	129	203
27	235	82.1	116	164	260
28	350	103	146	206	326
29	550	131	185	261	413
30	822	161	227	321	508
31	1447	209	295	417	659
32	2110	257	363	513	
33	3450	325	459	649	
34	5440	408	577		

HEAT SINK: For proper heat dissipation, body of solenoid should be mounted on an equivalent of 12.0" x 12.0" x 1/8" aluminum plate in an unrestricted flow of air.

MAGNETIC SENSOR SYSTEMS

S-41-300-H

MECHANICAL DIMENSIONS



SOLENOID SHOWN ENERGIZED

TYPICAL PUSH FORCE VERSUS STROKE

