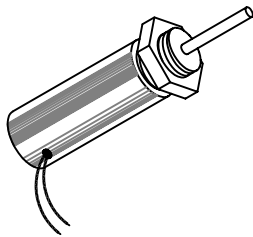


MAGNETIC SENSOR SYSTEMS

Push Type Tubular Solenoid



Series S-10-38-H
3/8" DIA X 1.00"
[9.7 mm X 25.4 mm]

TOTAL WEIGHT: 0.45 OUNCES [12.8 GR]
 PLUNGER WEIGHT: 0.08 OUNCES [2.4 GR]

duty cycle	1(100%)	1/2(50%)	1/4(25%)	1/10(10%)
maximum "ON" time, (Sec.)	∞	65	15	4
watts	2	4	8	20
approximate ampere turns	290	410	580	920

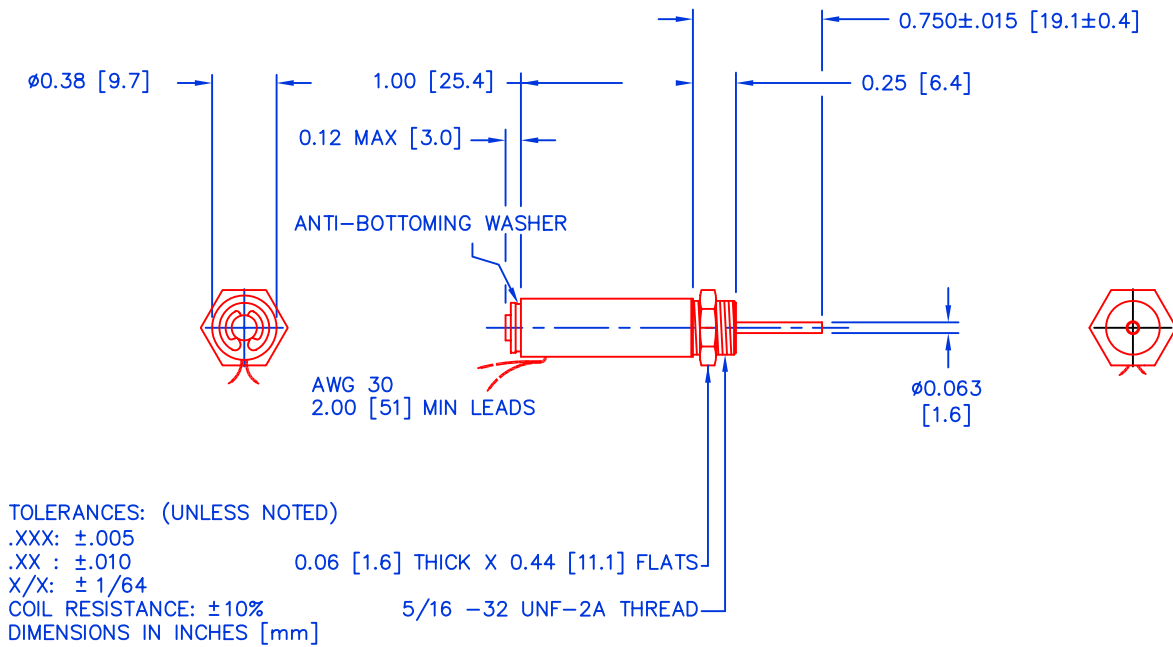
AWG number	resistance (Ω)	volts DC	volts DC	volts DC	volts DC
27	0.62	1.1	1.6	2.2	3.5
28	0.86	1.3	1.8	2.6	4.1
29	1.56	1.8	2.5	3.5	5.6
30	2.54	2.3	3.2	4.5	7.1
31	3.83	2.8	3.9	5.5	8.8
32	6.0	3.5	4.9	6.9	11.0
33	9.8	4.4	6.3	8.9	14.0
34	12.8	5.1	7.2	10.1	16.0
35	22.9	6.8	9.6	13.5	21.4
36	31.0	7.9	11.1	15.7	24.9
37	50.1	10.0	14.2	20.0	31.7
38	78.9	12.6	17.8	25.1	39.7
39	147	17.2	24.3	34.4	54.4
40	256	22.6	32.0	45.2	71.5
41	400	28.3	40.0	56.6	89.4
42	676	36.8	52.0	73.5	116.3

HEAT SINK: For proper heat dissipation, body of solenoid should be mounted on an equivalent of 2.0" x 2.0" x 1/8" aluminum plate in an unrestricted flow of air.

MAGNETIC SENSOR SYSTEMS

S-10-38-H

MECHANICAL DIMENSIONS



SOLENOID SHOWN ENERGIZED

TYPICAL PUSH FORCE VERSUS STROKE

