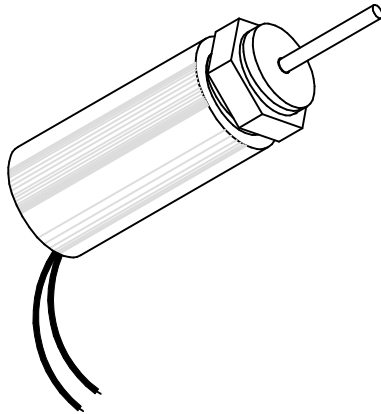


MAGNETIC SENSOR SYSTEMS

Push Type Tubular Solenoid



Series S-15-75-H
3/4" DIA X 1 1/2"

TOTAL WEIGHT: 2.7 OUNCES

PLUNGER WEIGHT: 0.5 OUNCES

| | | | | |
|---------------------------|----------|------|------|------|
| duty cycle | 1 | 1/2 | 1/4 | 1/10 |
| maximum "ON" time, (Sec.) | ∞ | 180 | 30 | 8 |
| watts | 8 | 16 | 32 | 80 |
| approximate ampere turns | 790 | 1110 | 1580 | 2490 |

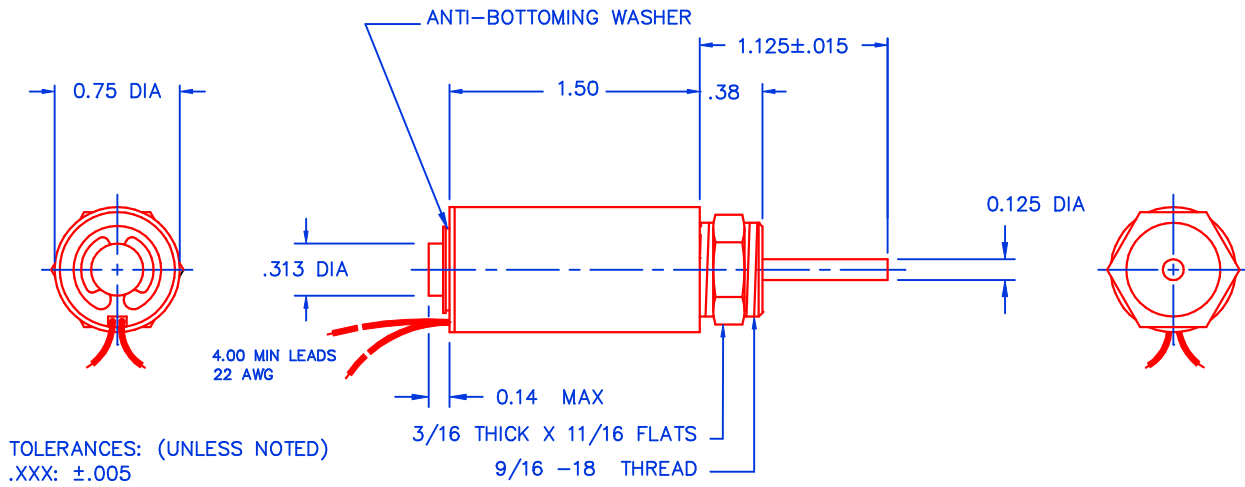
| AWG number | resistance (Ω) | volts DC | volts DC | volts DC | volts DC |
|------------|-------------------------|----------|----------|----------|----------|
| 23 | 0.63 | 2.2 | 3.2 | 4.5 | 7.1 |
| 24 | 1.05 | 2.9 | 4.1 | 5.8 | 9.2 |
| 25 | 1.48 | 3.4 | 4.9 | 6.9 | 10.9 |
| 26 | 2.68 | 4.6 | 6.5 | 9.3 | 14.6 |
| 27 | 4.50 | 6.0 | 8.5 | 12.0 | 19.0 |
| 28 | 7.03 | 7.5 | 10.6 | 15.0 | 24.0 |
| 29 | 11.0 | 9.4 | 13.3 | 18.7 | 30.0 |
| 30 | 20.4 | 12.8 | 18.0 | 25.5 | 40.3 |
| 31 | 28.2 | 15.0 | 21.3 | 30.1 | 48.0 |
| 32 | 45.1 | 19.0 | 26.9 | 38.0 | 60.1 |
| 33 | 72.0 | 24.0 | 33.9 | 48.0 | 75.9 |
| 34 | 98.8 | 28.1 | 39.7 | 56.2 | 88.9 |
| 35 | 191 | 39.0 | 55.2 | 78.1 | 124 |
| 36 | 269 | 46.4 | 65.6 | 92.7 | 147 |
| 37 | 468 | 61.2 | 86.5 | 122 | 193 |
| 38 | 692 | 74.4 | 105 | 149 | 235 |
| 39 | 1243 | 99.7 | 141 | 199 | 315 |
| 40 | 2066 | 129 | 182 | 257 | 407 |

HEAT SINK: For proper heat dissipation, body of solenoid should be mounted on an equivalent of 3.0" x 3.0" x 1/8" aluminum plate in an unrestricted flow of air.

MAGNETIC SENSOR SYSTEMS

S-15-75-H

MECHANICAL DIMENSIONS



TOLERANCES: (UNLESS NOTED)
 .XXX: ±.005
 .XX : ±.010
 X/X: ± 1/64
 COIL RESISTANCE: ± 10%

SOLENOID SHOWN ENERGIZED

TYPICAL PUSH FORCE VERSUS STROKE

