

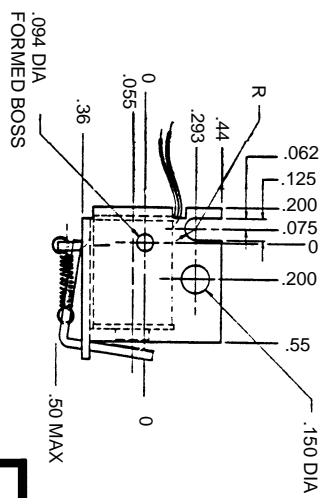
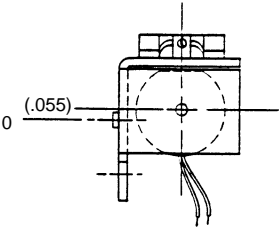
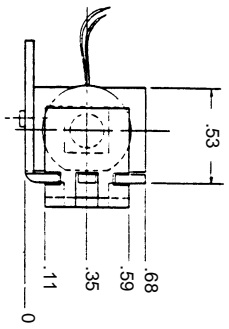
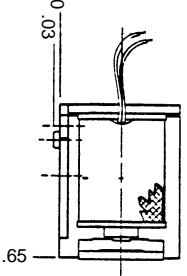
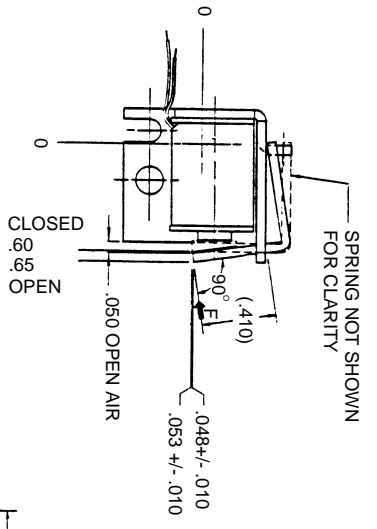
4

3

2

1

REVISIONS					
ZONE	LETTER	DESCRIPTION	DATE	CHECKED	APPROVED



NOTES:
UNLESS OTHERWISE SPECIFIED

DIMENSIONS ARE IN INCHES		MATERIAL		CONTRACT		MAGNETIC SENSOR SYSTEMS				
TOLERANCES ON:		FINISH		DRN	11/21/97	B.S.	SOLENOID / CLAPPER			
DECIMALS	FRACTIONS	ANGLES		CHKD			SIZE	CODE	DWG. NO.	REV
± .005 ± .01	± 1/125	± 2		APPVD			B		S-7.5-80	1
UNLESS OTHERWISE SPECIFIED				APPVD			SCALE:	/	SHEET	OF
USED ON	NEXT ASSY									
APPLICATION										

4

3

2

1

A

B

C

D