

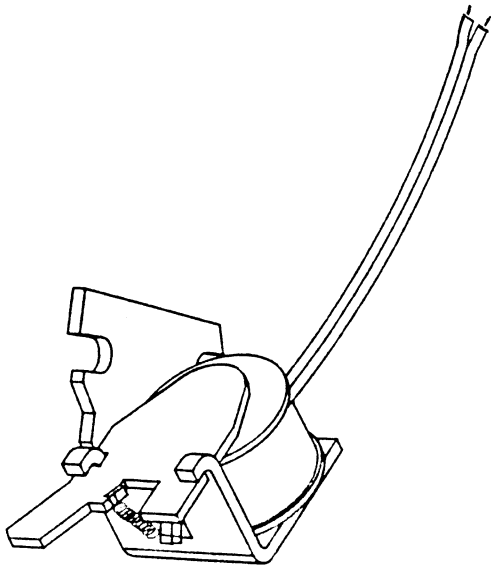
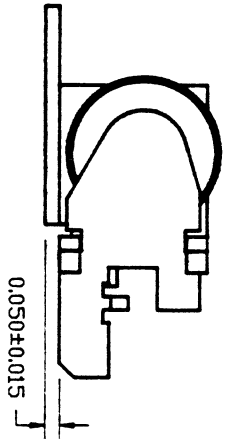
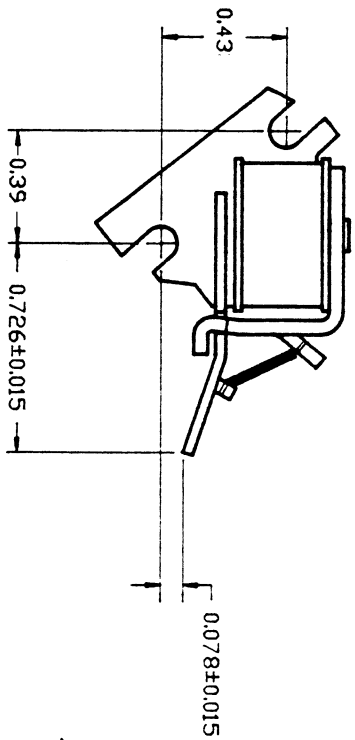
4

3

2

1

REVISIONS				
ZONE	LETTER	DESCRIPTION	DATE	CHECKED
				APPROVED



NOTES:  
UNLESS OTHERWISE SPECIFIED

4

3

2

1

DIMENSIONS ARE IN INCHES TOLERANCES ON:		MATERIAL		CONTRACT		MAGNETIC SENSOR SYSTEMS	
DECIMALS	FRACTIONS	ANGLES	FINISH	DRN	11/21/97	B.S.	SOLENOID / CLAPPER
.XXX .XX	± 1/125	± 2		CHKD	APPVD		
± .005 ± .01 UNLESS OTHERWISE SPECIFIED			USED ON	APPVD			SIZE
APPLICATION			NEXT ASSY	APPVD			B
				APPVD			SCALE:
							/
							SHEET
							OF
							REV.
							1

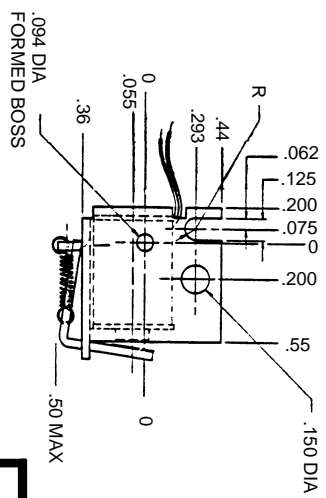
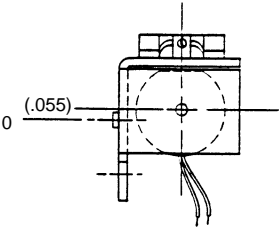
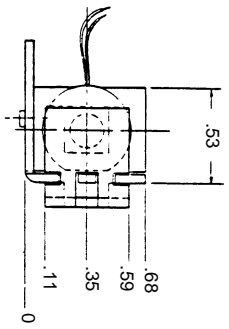
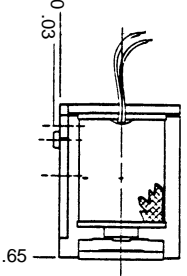
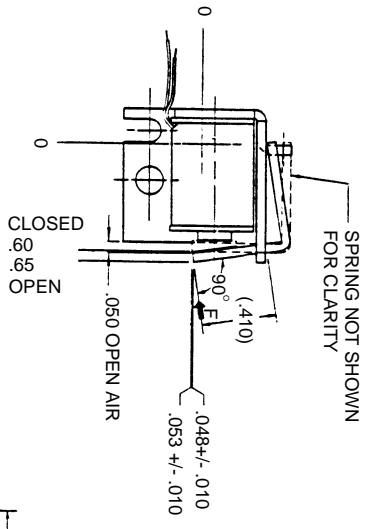
4

3

2

1

REVISIONS					
ZONE	LETTER	DESCRIPTION	DATE	CHECKED	APPROVED



NOTES:  
UNLESS OTHERWISE SPECIFIED

DIMENSIONS ARE IN INCHES		MATERIAL		CONTRACT		MAGNETIC SENSOR SYSTEMS				
TOLERANCES ON:		FINISH		DRN	11/21/97	B.S.	SOLENOID / CLAPPER			
DECIMALS	FRACTIONS	ANGLES		CHKD			SIZE	CODE	DWG. NO.	REV
± .005 ± .01	± 1/125	± 2		APPVD			B		S-7.5-80	1
UNLESS OTHERWISE SPECIFIED				APPVD			SCALE:	/	SHEET	OF
USED ON	NEXT ASSY	APPLICATION								

4

3

2

1

A

B

C

D